

## Bruce Anchor

Small bruce anchor mainly used for boats and fish ships, made by stainless steel or other good steels. The type from 1kg to 100kg.

Large Size are made by welded.

Max weight to 30tons.

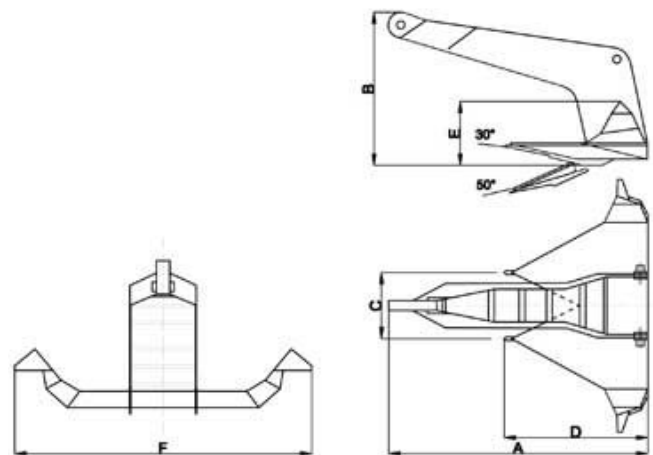
Method: Sand Casting

Equipments : 20 tons electric arc furnace.

Inspection Facility:

1. Mechanical Property and Chemistry Analysis.
2. Magnetic Particle Testing
3. Penetrating Testing
4. Ultrasonic Testing
5. Radiographic Testing
6. Spectrometer

Certificated by : LR, DNV, ABS, BV, NK and GL.



[www.castingquality.com](http://www.castingquality.com)

NOMINAL WEIGHT(KG)	A	B	C	D	E	F
500	1827	1280	500	1303	606	2188
1500	2648	1854	723	1888	878	3172
3000	3409	2388	931	2431	1131	4085
4500	3800	2751	1047	2733	1298	4605
5000	4029	2822	1100	2873	1336	4828
6500	4326	3131	1192	3110	1478	5242
9000	4846	3394	1324	3456	1607	5806
10000	5287	3563	1390	3628	1687	6095
12000	5437	3808	1486	3878	1803	6514
15000	5728	4012	1566	4085	1900	6864
18000	6129	4292	1674	4371	2032	7343
20000	6319	4436	1726	4507	2096	7571
30000	7225	5060	1974	5153	2396	8656