

Marine Anchors

Balanced Pool Anchor

High holding power pool anchor with balance

Max weight to 30tons.

Method: Sand Casting

Equipments : 20 tons electric arc furnace.

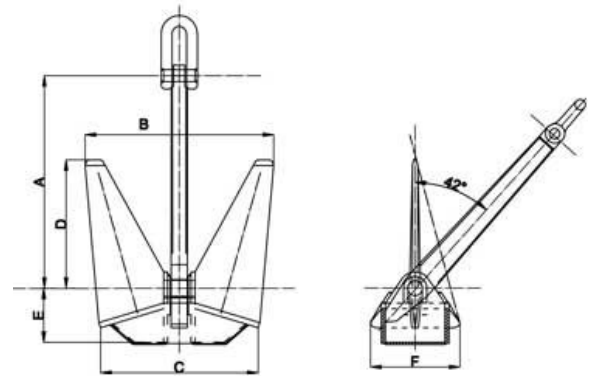
Inspection Facility:

1. Mechanical Property and Chemistry Analysis.
2. Magnetic Particle Testing
3. Penetrating Testing
4. Ultrasonic Testing
5. Radiographic Testing
6. Spectrometer



Certificated by : LR, DNV, ABS, BV, NK and GL.

NOMINAL WEIGHT (KG)	A	B	C	D	E	F
60	590	555	470	364	157	270
80	664	605	515	410	176	295
100	712	655	555	440	190	320
160	835	765	650	516	223	370
200	885	825	700	546	236	400
280	1008	925	780	622	269	450
360	1096	1005	855	677	292	490
480	1186	1105	940	728	314	535
600	1300	1190	1010	802	347	580
765	1410	1290	1096	870	375	610
1000	1526	1395	1185	942	404	660
1080	1580	1446	1230	975	421	685
1195	1636	1485	1270	1010	436	708
1305	1680	1541	1308	1037	448	730
1440	1738	1592	1352	1073	464	754
1575	1769	1640	1386	1092	472	777
1710	1840	1686	1455	1137	491	798
1845	1890	1729	1469	1168	504	819
1980	1935	1770	1504	1195	516	836
2140	1986	1816	1543	1226	530	860
2295	2030	1860	1580	1254	540	880
2655	2140	1954	1684	1322	566	926
2835	2188	1996	1700	1351	580	945
3000	2238	2042	1736	1382	592	968
3240	2287	2086	1773	1412	605	988
3940	2442	2226	1892	1508	646	1055
4500	2553	2328	1976	1576	675	1103
5175	2675	2439	2072	1651	708	1155



www.castingquality.com

NOMINAL WEIGHT (KG)	A	B	C	D	E	F
5515	2730	2491	2116	1686	722	1180
5850	2786	2541	2159	1720	737	1204
6225	2838	2594	2204	1750	756	1229
6525	2880	2635	2239	1780	768	1248
6975	2948	2695	2290	1820	786	1276
7425	3010	2760	2338	1858	802	1303
7875	3069	2805	2384	1895	818	1329
8775	3180	2908	2471	1964	848	1376
9225	3235	2968	2512	1997	862	1401
9675	3286	3004	2553	2029	876	1423
10125	3337	3060	2592	2060	890	1445
10575	3386	3095	2630	2090	902	1468
12075	3538	3236	2748	2184	943	1533
12675	3596	3288	2794	2220	958	1556
13350	3658	3346	2842	2258	975	1585
14100	3726	3406	2894	2300	993	1614
15000	3804	3476	2954	2348	1014	1646
17250	3985	3643	3095	2460	1062	1726
20825	4240	3887	3285	2618	1130	1832
24750	4495	4109	3491	2775	1198	1947
28875	4717	4324	3675	2912	1258	2049

Professional Supplier of casting parts in China