

Marine Anchors

### AC-14 HHP Stockless Anchor with Balance

AC14 anchors suitable for Merchant Fleet, Moorings or the Offshore Industry. Rated high holding power, this is a "snug" stowing stockless type ships bow anchor. the Class certificates can be supplied, and usually made from cast steel and the surface is black or galvanized finish.

Max weight to 30tons.

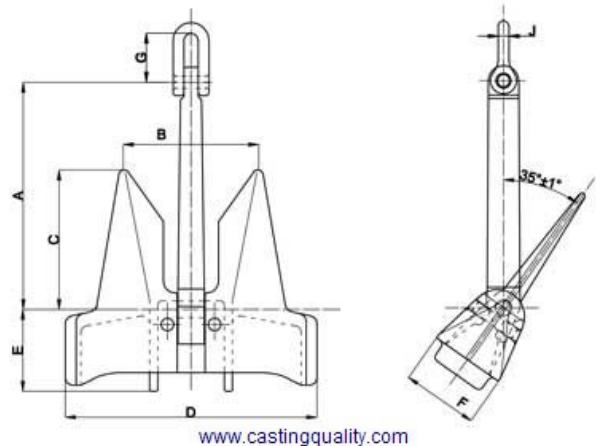
Method: Sand Casting

Equipments : 20 tons electric arc furnace.

Inspection Facility:

1. Mechanical Property and Chemistry Analysis.
2. Magnetic Particle Testing
3. Penetrating Testing
4. Ultrasonic Testing
5. Radiographic Testing
6. Spectrometer

Certificated by : LR, DNV, ABS, BV, NK and GL.



www.castingquality.com

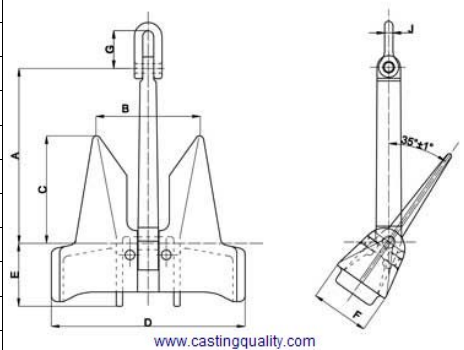
NOMINAL WEIGHT(KG)	A	B	C	D	E	F	G	J
75	550	326	350	606	188	185	115	24
100	607	380	385	704	207	200	130	28
120	635	380	402	704	217	215	145	32
180	742	442	470	822	254	252	160	36
225	828	495	525	915	283	277	175	40
250	828	495	525	915	283	280	175	40
300	882	525	559	975	301	298	192	45
340	918	548	582	1015	313	310	215	48
360	918	548	582	1015	313	313	215	48
430	990	590	628	1098	339	336	215	48
495	1025	610	650	1135	350	348	235	50
585	1102	658	699	1220	376	375	235	50
675	1152	690	731	1278	394	390	255	60
765	1205	718	764	1335	411	408	255	60
855	1250	745	793	1385	427	420	280	62
970	1300	775	826	1445	444	440	280	62
1080	1350	805	855	1495	461	455	280	62
1200	1400	835	887	1545	478	470	310	68
1305	1440	858	913	1595	492	485	310	68
1440	1486	885	943	1645	507	505	310	68
1575	1534	915	972	1695	523	518	340	74

Professional Supplier of Casting Parts in China

Marine Anchors

**AC-14 HHP Stockless Anchor with Balance**

AC14 anchors suitable for Merchant Fleet, Moorings or the Offshore Industry. Rated high holding power, this is a "snug" stowing stockless type ships bow anchor. the Class certificates can be supplied, and usually made from cast steel and the surface is black or galvanized finish.



NOMINAL WEIGHT	A	B	C	D	E	F	G	J
1710	1575	940	998	1745	538	532	340	74
1845	1616	965	1025	1785	552	546	340	74
1980	1650	985	1048	1830	564	560	380	82
2100	1686	1005	1070	1865	575	570	380	82
2295	1738	1035	1102	1920	593	588	380	82
2475	1780	1062	1128	1970	607	602	385	82
2655	1820	1085	1155	2018	621	615	385	82
2835	1862	1109	1180	2057	635	625	410	90
3040	1896	1130	1204	2100	646	640	410	90
3550	2030	1198	1287	2225	693	680	415	100
3940	2080	1240	1318	2300	709	705	450	100
4500	2170	1295	1376	2405	741	735	450	100
4840	2225	1330	1410	2465	760	755	480	110
5175	2275	1358	1443	2520	777	770	480	110
5610	2339	1396	1483	2590	798	790	500	110
6000	2390	1426	1515	2646	816	810	500	110
6225	2420	1443	1534	2678	826	820	540	117
6525	2450	1462	1554	2712	836	830	540	117
6975	2507	1496	1589	2775	855	848	580	121
7350	2560	1526	1622	2832	873	866	580	121
7875	2610	1558	1655	2890	891	884	600	130
8325	2665	1590	1689	2950	909	902	600	130
8775	2707	1614	1715	2996	924	916	630	135
9300	2765	1652	1754	3064	945	936	640	140
9675	2805	1674	1778	3104	957	948	640	140
10125	2850	1700	1806	3152	972	960	640	140
10575	2880	1720	1827	3192	984	976	660	145
11025	2930	1750	1859	3247	1001	990	660	145
11700	2987	1782	1894	3308	1019	1010	700	155
12075	3010	1800	1906	3343	1027	1020	700	155
12675	3065	1812	1945	3364	1047	1028	700	155
13350	3132	1870	1986	3470	1069	1060	700	155
14100	3178	1896	2015	3520	1084	1076	730	160
14700	3228	1924	2045	3570	1099	1090	730	160
15400	3272	1954	2075	3626	1117	1108	770	170
16100	3320	1980	2110	3680	1132	1125	770	170
16900	3350	2000	2126	3720	1144	1144	770	170
17250	3380	2016	2142	3740	1151	1144	770	170
17800	3440	2050	2180	3806	1173	1162	800	180
18800	3500	2088	2220	3875	1193	1185	800	180
20000	3573	2132	2265	3956	1220	1210	820	185
25000	4100	2437	2600	4577	1399	1375	880	200
30000	4358	2888	2765	4663	1484	1380	940	210

Professional Supplier of casting parts in China